

GridBee SCADA Panel

Part Number: 101846

Description

The GridBee Standard SCADA accessory package offers the ability to monitor a GridBee for proper operation via monitoring motor current through two programmable open collector outputs. Remotely control on or off via a 24VDC relay by a local PLC. The unit is contained within a NEMA 4 enclosure to be mounted near the 120 VAC power source. Additional features include a circuit breaker, Hand Off Auto (HOA) 3-position switch and LCD display. UL508 certified.

Specifications:

Power Source Required

120vAC, 20 Amp Outdoor Rated Receptacle

Enclosure

10" X 8" X 4", molded Integra NEMA 4
Mounting Feet Hole Pattern: 5.75" W X 11.25" H
Back Insert Hole Pattern: 5.75" W X 7.75" H

Open Collector Sinking Outputs

There are two open collector outputs which can be configured to act as alarm or a 4-20 mA signal. The open collectors can sink a maximum of 34 VDC and 500 mA. The default settings include a normally closed out of range output, along with a 4-20 mA output.

4-20 mA

Active 4-20mA, Output Load 250 Ohms
Linear Scaling: Mixer Current = (mA Value - 4) / 0.8
4 mA = 0 Amps Mixer Current
20 mA = 20 Amps Mixer Current
Signal Current:

Normal = 9.6 mA - 14.8 mA

Operating Status:

Normal (GREEN): 7.0 A - 13.5 A

Fault (RED): Outside of Normal Range

*Range is programmable via display meter.

On/Off Control Relay

A relay is available with a 24 VDC coil to offer remote on or off control while the HOA switch is positioned in Auto for conditions requiring the unit to be shut off such as low water level.

Coil Power: 24 VDC nominal (19.2V to 28.4V DC)

Type: Normally open. Can be field adjusted to normally closed if required.

Auto Operating Temperature: -40°C to 55°C

Hand Operating Temperature: -40°C to 75°C



Figure 1: GridBee Standard SCADA Box, Green for in range



Figure 2: GridBee Standard SCADA Box, Red for out of range



Shipping Size/Weight

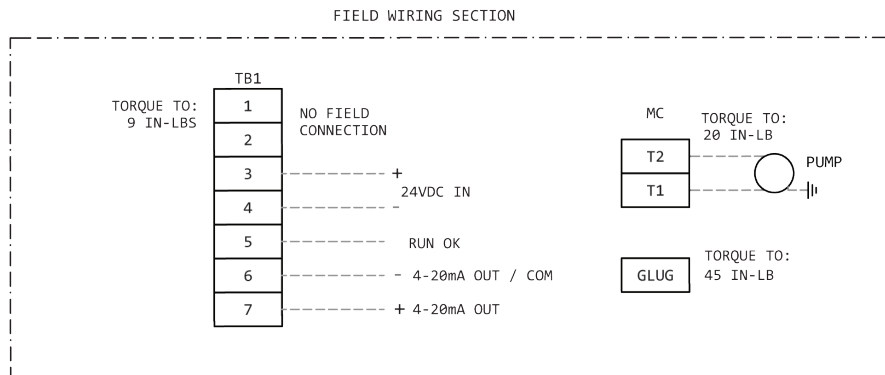
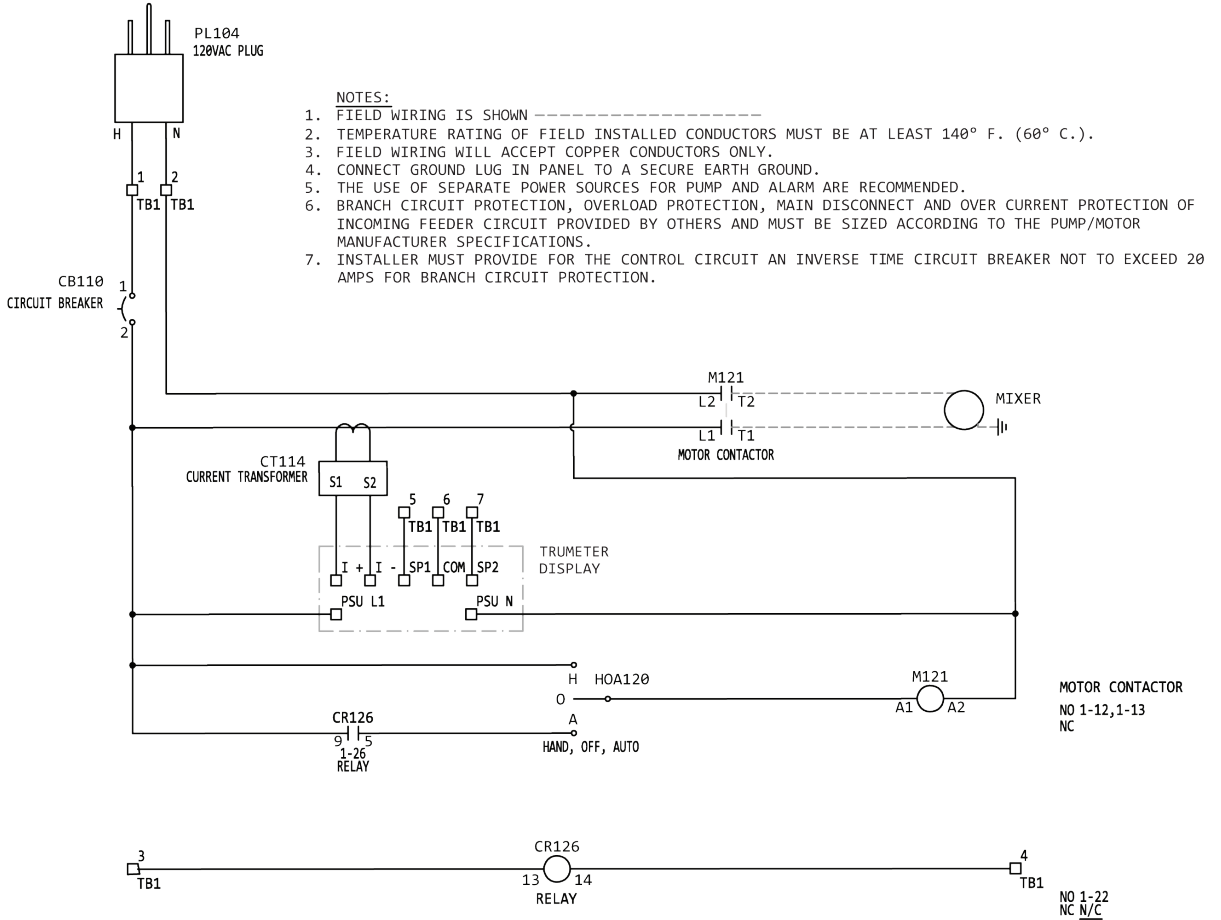
18 inch X 15 inch X 8 inch, 8 lbs

Warranty

Reference GridBee Product Limited Replacement Warranty.

GridBee SCADA Panel Electric Schematic

1-00
1-01
1-02
1-03
1-04
1-05
1-06
1-07
1-08
1-09
1-10
1-11
1-12
1-13
1-14
1-15
1-16
1-17
1-18
1-19
1-20
1-21
1-22
1-23
1-24
1-25
1-26
1-27
1-50
1-51
1-52
1-53
1-54
1-55
1-56
1-57
1-58
1-59
1-60
1-61
1-62



MEDORA 101846		IFS DESCRIPTION LIT, RH, SCH, MEDORA GS SERIES 120V 101846		
DRAWN BY JJ	DATE 9/23/19	PROJECT NUMBER 1064197		SHEET NUMBER 1 OF 1
APPROVED BY ACB	DATE 9/23/19			REV A