

SN5

Technology Description- Floating, electric powered, circulation and Trihalomethane (THM) removal equipment for potable water tanks and reservoirs. Designed for continuous operation and Factory installed through 18-inch sq. minimum clear roof opening.

Materials of Construction - T316 stainless steel, thermoplastic rubber, High Density Polyethylene construction. GridBee® Machines are constructed using safe materials for contact with potable water. See certifications section below.

TTHM Reduction Range - 20% to 70%, dependant on THM Species, Daily Inflow and other variables, see Medora Corp. for proposal.

Spray Unit Direct Flow Rate - 0.33 Million Gallons Per Day, MGD. *Medora application engineering evaluations often require sizing systems based on site specific conditions and NOT the spray aeration direct flow rate.*

Minimum Access Opening - Machine can be placed through 18 inch (0.5m) diameter opening.

Minimum Water Depth - Minimum of 4ft (1.2m) operating depth required, do not operate out of water.

Minimum Head Space - Minimum of 24in (0.6m) head space between water level and reservoir/tank ceiling required.

Intake - 20 to 100+ feet (6 to 30+ m) available in 6-inch (15.2 cm) diameter X 20 feet (6 m) sections, thermoplastic rubber, NSF/ANSI 61 approved. Includes low elevation intake that draws water in a horizontal layer within 6 inches (15 cm) of the tank or reservoir floor. Includes intake retrieval chain constructed of 316 stainless steel.

Electrical Requirements - Requires 240VAC/1PH, 240VAC/3PH or 480VAC/3PH, 60Hz power. Medora recommends secondary disconnect to be located near equipment access hatch. Optional Franklin SubMonitor three-phase motor protection unit highly recommended and available from Medora Corp. *All switches, breakers, emergency stop buttons, control panels and other controls shall be installed in accordance to all NEC, State, and local regulations. (Not supplied by Medora Corp.)*

Motor - 5HP stainless steel submersible, designed for continuous operation, low power requirement, direct drive, no gearbox and no lubrication schedule required. See certifications section below.

Wiring - 4-conductor, submersible power cable for submersible motor wiring terminated exterior at top of tank.

Sealed Penetration Fitting - T316 stainless steel tank fitting with a 3/4" NPT female connection. Not designed as a submersible penetration.

Shipping Size / Weight

- **Crate** - 72in x 16in x 16in (1.83m x 0.41m x 0.41m) / 100lbs (46kg) *Exact weight and dimensions varies dependent on machine configuration.*

Certifications - Medora Corporation's potable water products are certified to ANSI/NSF Standard 61, and 372 for lead-free content. Learn more at: www.medoraco.com/std61

Life / Maintenance / Warranty - 25-year design life, limited maintenance. Limited 2-year parts and labor warranty, See Warranty Statement for details.

Patent Pending

Subject to change without notice.

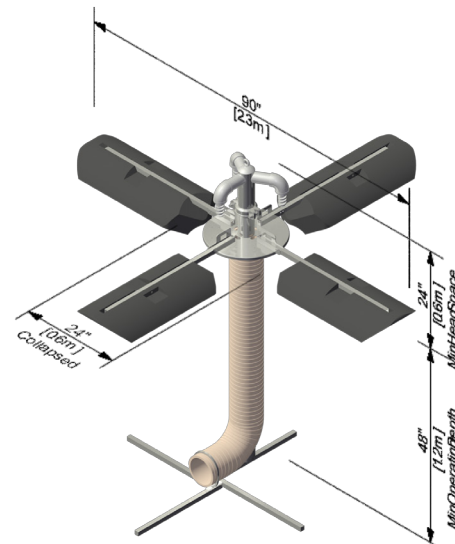


Figure 1: SN5