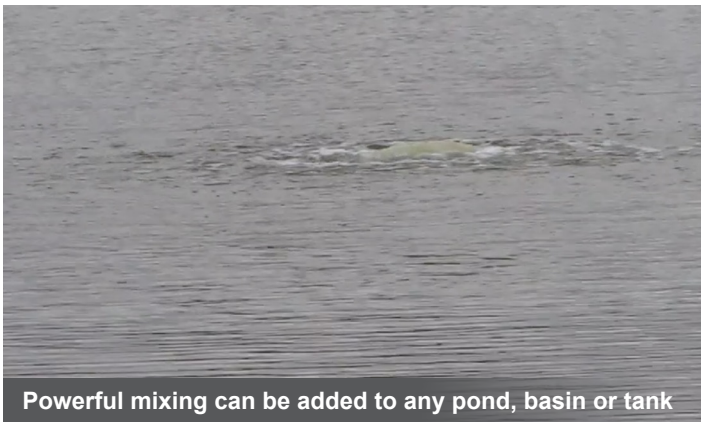


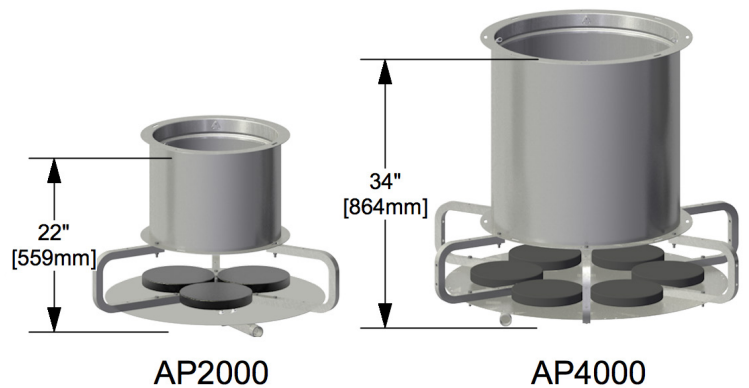


Air-Powered Mixers

AP2000 & AP4000 Units



Powerful mixing can be added to any pond, basin or tank



GridBee® AP Air-Powered Mixers from Medora Corporation combine patented long- distance circulation technology with a clog-free design.

Park Ponds, Small Lakes, Stormwater Ponds:

- Helps provide blue-green algae control and improves fish habitats
- Easy to place on the end of docks
- Excellent for de-icing marinas
- No electricity or moving parts in the water

Wastewater & Industrial:

- Designed for use in ponds, basins, and industrial tanks
- Clog-free, no moving parts in the water
- Energy-efficient, can be matched to an existing air system or optional air unit

Electrical Service:

(Required for optional air units)

120v 1ph service is required to support standard air units to 2hp

Pedestal Models:

Optional legs are available to raise the diffusers off the bottom (Pictured Above)

Floating Models:

Can be set at a desired depth to achieve specific water quality objectives.

(Pictured to the Right)

Air Units:

Low pressure and High pressure air units are available

(Pictured to the Right)



Air-powered mixers should not be used in non-vented areas where explosive gases may accumulate.

Medora Corporation | GridBee® SolarBee®

www.medoraco.com | 866-437-8076 | info@medoraco.com

